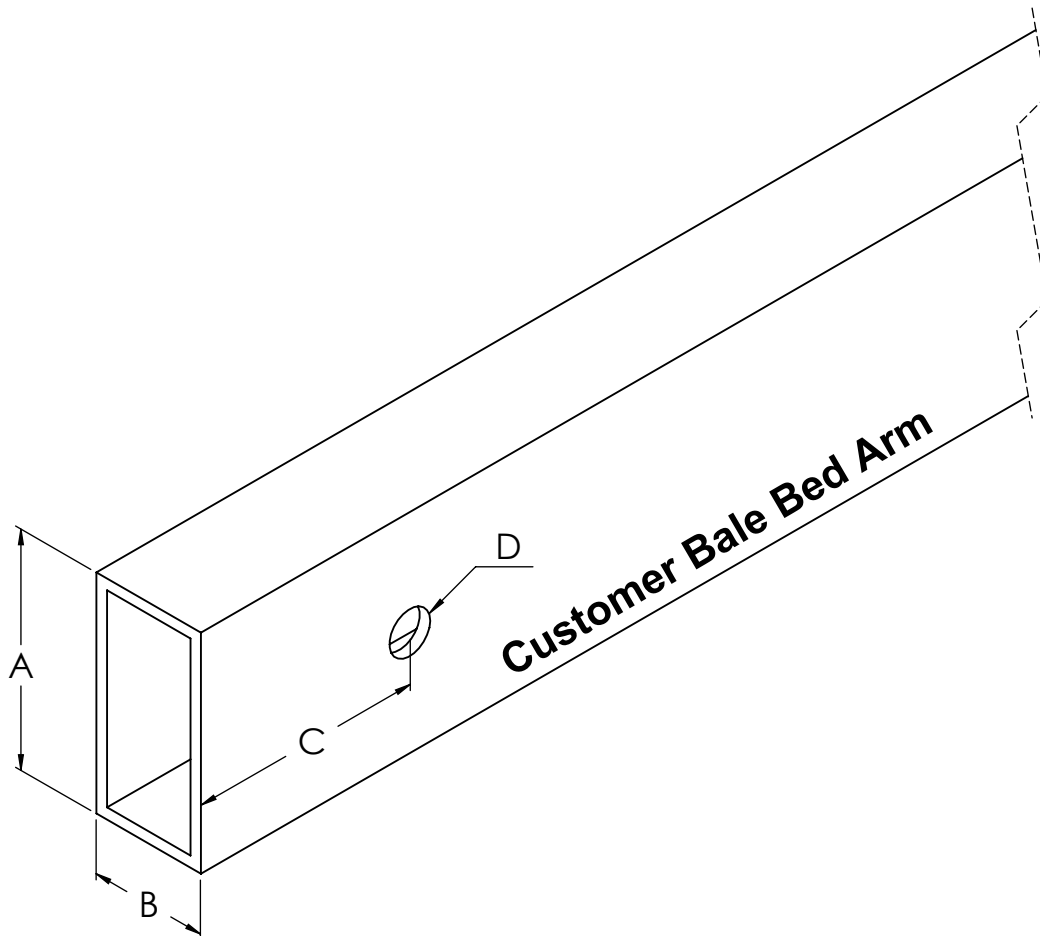


Bale Bed Arm Winder

Please fill out information below. This information is needed in order to manufacture your Bale Bed wire winder. Our hydraulic wire winder will sleeve over your bale bend arm so it is very important to give us these measurements of arm we are mounting on.



A = _____ (Outside Dimension)

B = _____ (Outside Dimension)

C = _____ (End Of Tube To Center Of Hole)

D = _____ (Diameter Of Hole)